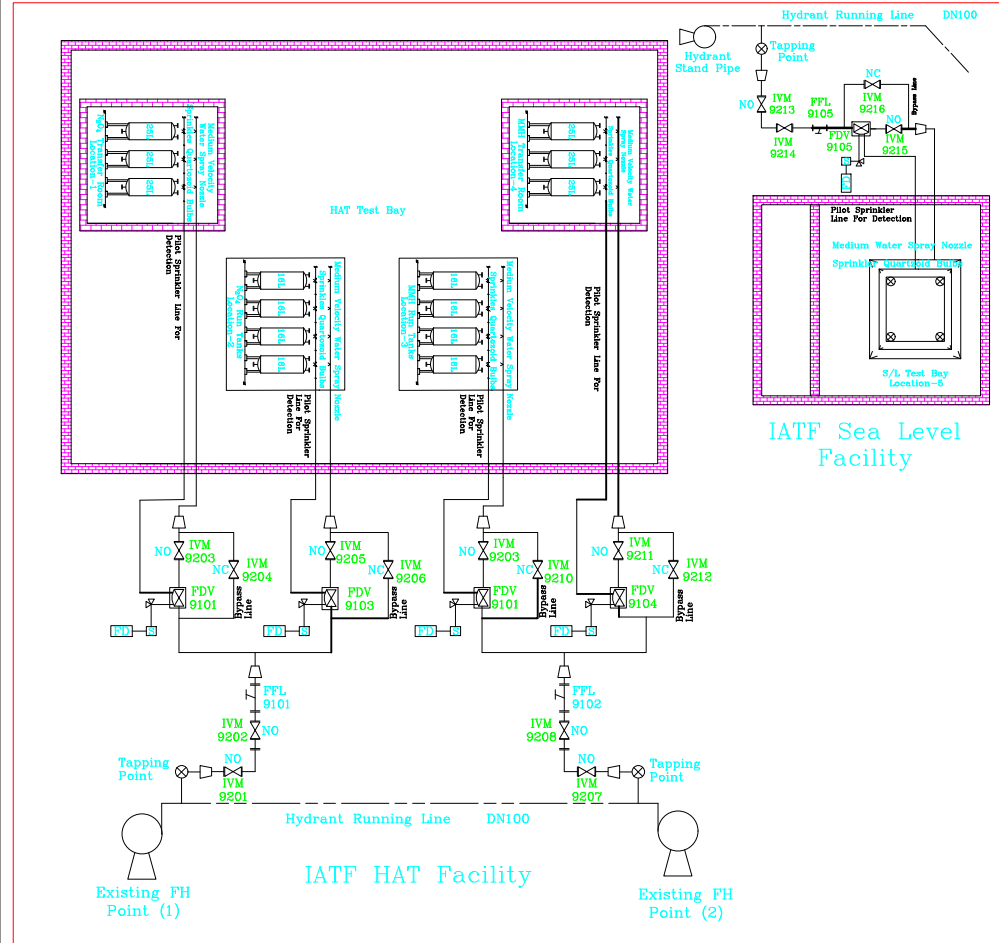
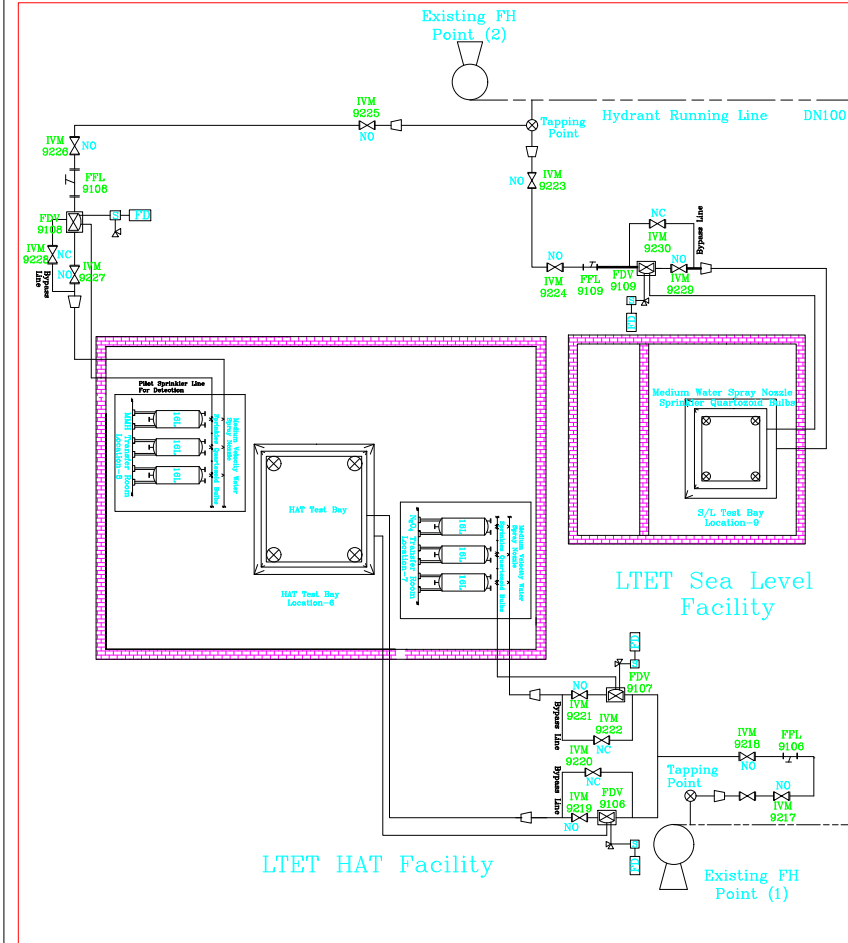


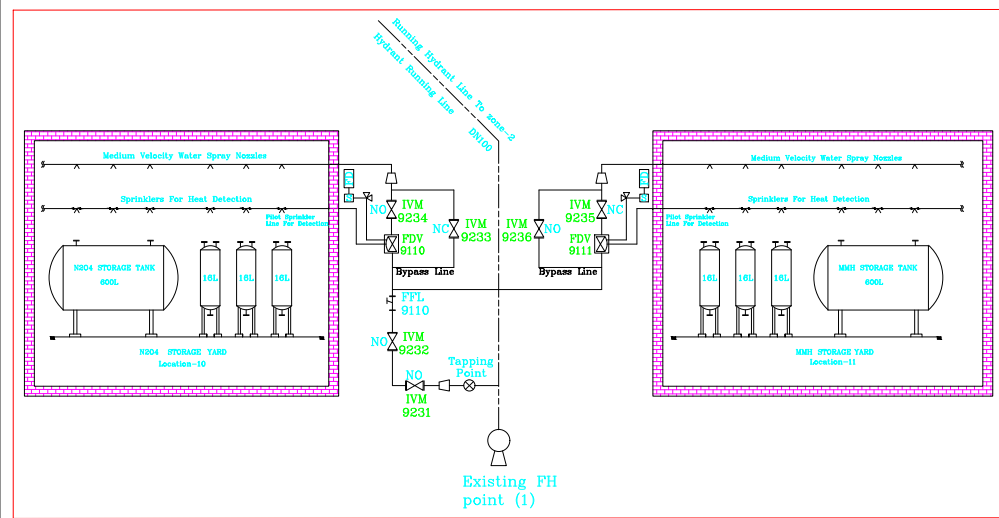
Integrated & Assembly Testing Facility Zone-1



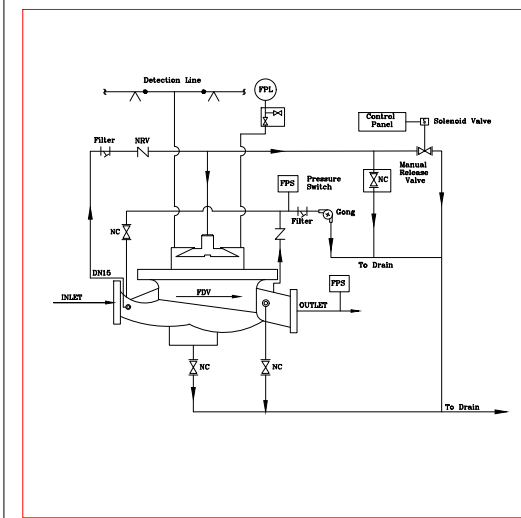
Existing LTET-V Zone-2



Propellant Storage Yard Zone-3



Typical Arrangement of Deluge Valve Assembly



Legends	
NO	Normally Open (NO)
NC	Normally Close (NC)
	Manual Valve (IVM)
	Filter (FFL)
	Non Return Valve (NRV)
	Deluge Valve (FDV)
	Solenoid Valve (SV)
	Sprinkler for Heat Detection (Quartzoid Bulbs)
	Water spray Nozzles (Open Type)
	Hydrant Stand Pipe
	Tapping Point
	Pressure Gauge
	Pressure Switch
	Gong
	Reducer
	Flame Detectors (FD)

LIQUID PROPULSION SYSTEMS CENTRE
VALIAMALA

TITLE:
P & I OF AUTOMATIC DELUGE SPRINKLER
WATER SYSTEM FOR IATF & LTET-V FACILITY

Drawing No: LPSC/IATF/DELUGE WATER SYSTEM P & I
Paper size: A3 Scale: NTS Date: 26/11/2018
Design & Drawn by: Meenakshi Bora, Engr. NC
Checked by: Benny Peter Engr. in Charge, SCAEL Sheet: 1 of 2
Reviewed & Approved by: M Vinodha Kumar, CH YPO/ESRO