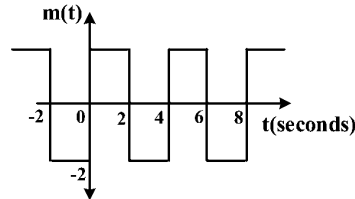
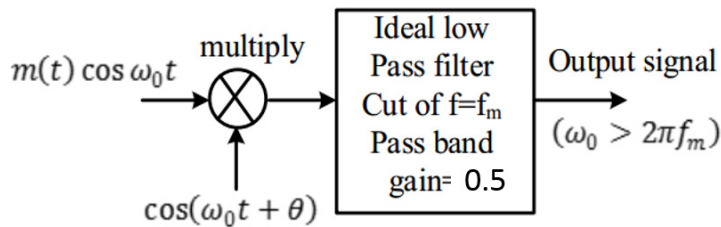


1. The signal  $m(t)$  as shown is applied both to a phase modulator (with  $k_p$  as the phase constant) and a frequency modulator with ( $k_f$  as the frequency constant) having the same carrier frequency. The ratio  $k_p/k_f$  (in rad/Hz) for the same maximum phase deviation is



- (a)  $8\pi$                       (b)  $4\pi$                       (c)  $2\pi$                       (d)  $\pi$
2. A message  $m(t)$  bandlimited to the frequency  $f_m$  has a power of  $P_m$ . The power of the output signal in the figure is



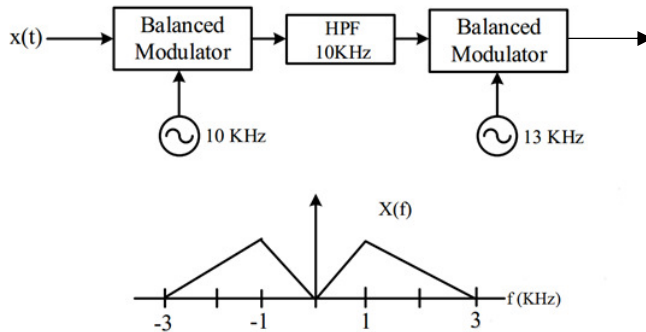
- (a)  $(P_m \cos \theta)/2$                       (b)  $(P_m \sin^2 \theta)/2$   
(c)  $P_m/4$                       (d)  $P_m \cos^2 \theta/4$
3. The input  $x(t)$  and output  $y(t)$  of a system are related as

$$y(t) = \int_{-\infty}^t x(t) \cos(4t) dt$$

The system is

- (a) time-invariant and stable  
(b) stable and not time-invariant  
(c) time-invariant and not stable  
(d) not time-invariant and not stable


4. Consider a system shown in the figure. Let  $X(f)$  and  $Y(f)$  denote the Fourier transforms of  $x(t)$  and  $y(t)$  respectively. The ideal HPF has the cut-off frequency 10 KHz.



The positive frequencies where  $Y(f)$  has spectral peaks are

- (a) 1 KHz and 24 KHz
  - (b) 2 KHz and 24 KHz
  - (c) 1 KHz and 14 KHz
  - (d) 2 KHz and 14 KHz
5. Let  $x(t) = \text{rect}\left(t - \frac{1}{2}\right)$  where  $\text{rect}(t) = 1$  for  $-\frac{1}{2} \leq t \leq \frac{1}{2}$  and zero otherwise, then Fourier Transform of  $x(t) + x(-t)$  will be given by

- (a)  $\text{sinc}\left(\frac{\omega}{2}\right)$
- (b)  $2\text{sinc}\left(\frac{\omega}{2}\right)$
- (c)  $2\text{sinc}\left(\frac{\omega}{2}\right) \cos\left(\frac{\omega}{2}\right)$
- (d)  $2\text{sinc}\left(\frac{\omega}{2}\right) \sin\left(\frac{\omega}{2}\right)$

	<b>INDIAN SPACE RESEARCH ORGANISATION</b>	<b>SET A</b>
	<b>Recruitment Entrance Test for Scientist/Engineer 'SC' 2017</b>	

6. A signal  $x(t) = \text{sinc}(\alpha t)$ , where  $\alpha$  is a real constant, is the input to a Linear Time Invariant system whose impulse response is  $h(t) = \text{sinc}(\beta t)$ , where  $\beta$  is a real constant. If  $\min(\alpha, \beta)$  denotes the minimum of  $\alpha$  and  $\beta$  and similarly,  $\max(\alpha, \beta)$  denotes the maximum of  $\alpha$  and  $\beta$ , and  $K$  is a constant, which one of the following statements is true about the (here,  $\text{sinc}(x) = \frac{\sin(\pi x)}{\pi x}$ ) output of the system?
- (a) It will be of the form  $K \text{sinc}(\gamma t)$  where  $\gamma = \min(\alpha, \beta)$   
(b) It will be of the form  $K \text{sinc}(\gamma t)$  where  $\gamma = \max(\alpha, \beta)$   
(c) It will be of the form  $K \text{sinc}(\alpha t)$   
(d) It cannot be a sinc type of signal
7. A message signal given by  $m(t) = (1/2)\cos(\omega_1 t) - (1/2)\sin(\omega_2 t)$  is amplitude modulated with a carrier of frequency  $\omega_c$  to generate  $s(t) = [1 + m(t)]\cos(\omega_c t)$ . What is the power efficiency achieved by this modulation scheme?
- (a) 8.33%                      (b) 11.11%                      (c) 20%                      (d) 25%
8. If  $E_b$ , the energy per bit of a binary digital signal, is  $10^{-5}$  Ws (Watt-Second) and the one-sided power spectral density of the white noise,  $N_0 = 10^{-6}$  W/Hz, then the output SNR of the matched filter is
- (a) 26 dB                      (b) 10 dB                      (c) 20 dB                      (d) 13 dB
9. At a given probability of error, binary coherent FSK is inferior to binary coherent PSK by.
- (a) 6 dB                      (b) 3 dB                      (c) 2 dB                      (d) 0 dB
10. If  $z_0$  is a zero of a (real-valued) linear-phase FIR filter then following is/are also zero/zeros of a (real-valued) linear-phase FIR filter,
- (a)  $z_0^*$     (b)  $1/z_0$   
(c)  $1/z_0, z_0^*$  and  $1/z_0^*$                       (d)  $1/z_0$  and  $1/z_0^*$

11. What will be the minimum numbers of tap require to realize a FIR filter having  $f_{pass} = 10$  kHz and  $f_{stop} = 15$  kHz, 0.1 dB pass band ripple and 60 dB attenuation in stop band. Sampling frequency is 200 kHz.

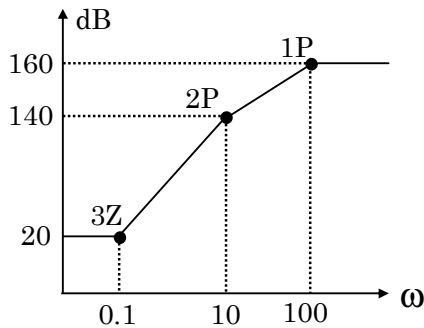
- (a) 110                                      (b) 100  
(c) 90                                        (d) 120

12. The system with the transfer function  $\frac{Y(s)}{X(s)} = \frac{s}{s+p}$  has an output  $y(t) = \cos\left(2t - \frac{\pi}{3}\right)$

for the input signal  $x(t) = p \cos\left(2t - \frac{\pi}{2}\right)$ . Then, the system parameter  $p$  is

- (a)  $\sqrt{3}$                                       (b) 1  
(c)  $2/\sqrt{3}$                                   (d)  $\sqrt{3}/2$

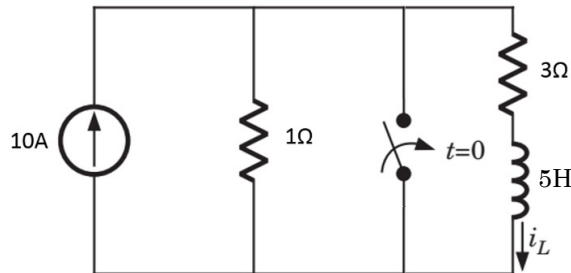
13. The approximate Bode magnitude plot of a minimum-phase system is shown in the figure below. The transfer function of the system is



- (a)  $10^8 \frac{(s+0.1)^2}{(s+10)^2 (s+100)}$                               (b)  $10^7 \frac{(s+0.1)^3}{(s+10)^2 (s+100)}$   
(c)  $10^8 \frac{(s+0.1)^3}{(s+10)^2 (s+100)}$                               (d)  $10^7 \frac{(s+0.1)^2}{(s+10)^2 (s+100)}$

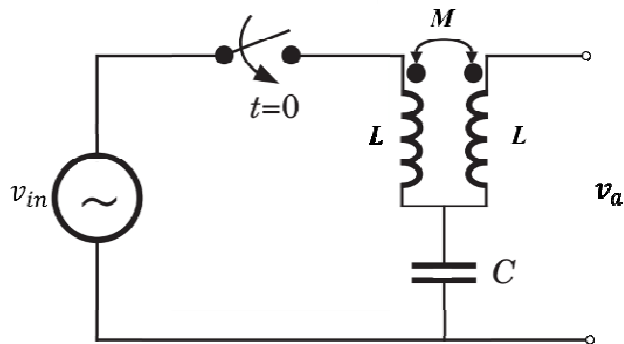


14. For the circuit of the figure the inductor current  $i_L$  just before  $t = 0$  is



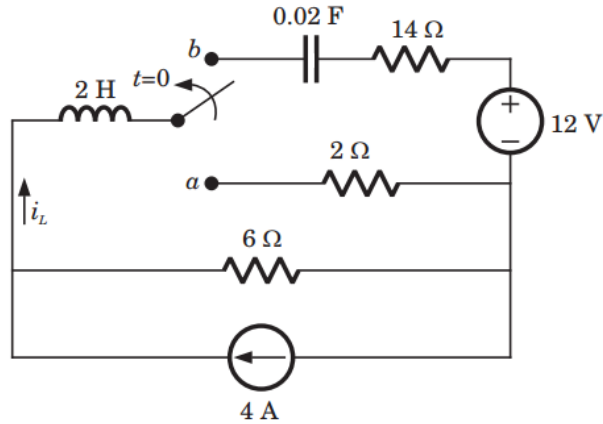
- (a) 10 A
- (b) 6 A
- (c) 4 A
- (d) 2 A

15. The network shown in below figure consist of two coupled coils and a capacitor. At  $t = 0$ , the switch is closed connecting a voltage generator,  $v_{in} = V \sin\left(\frac{t}{\sqrt{MC}}\right)$ . What will be the value of  $\frac{dv_a}{dt}(0+)$ ?



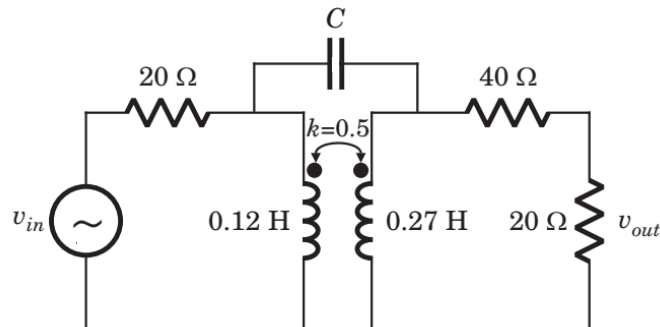
- (a)  $\left(\frac{V}{L}\right)\sqrt{\frac{M}{C}}$
- (b)  $\left(\frac{V}{L}\right)$
- (c) 0
- (d)  $\left(\frac{V}{L}\right)\left(\frac{M}{C}\right)$

16. In the network shown below, switch is moved from position a to b at  $t = 0$ . The current  $i_L(t)$  for  $t > 0$  is given as



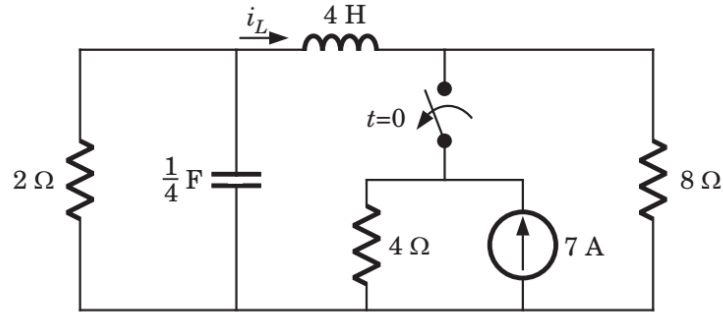
- (a)  $(4 - 6t)e^{4t} A$
- (b)  $(3 - 6t)e^{-4t} A$
- (c)  $(3 - 9t)e^{-5t} A$
- (d)  $(3 - 8t)e^{-5t} A$

17. The voltage gain  $v_{out}/v_{in}$  of a circuit shown below is zero. If  $\omega = 333.33 \text{ rad/s}$ , the values of C is

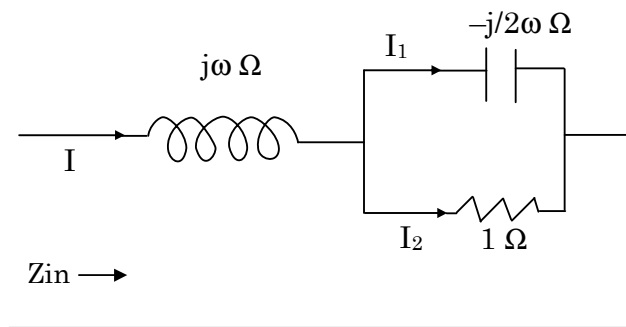


- (a) 3.33 mF
- (b) 33.33 mF
- (c) 3.33  $\mu$ F
- (d) 33.33  $\mu$ F

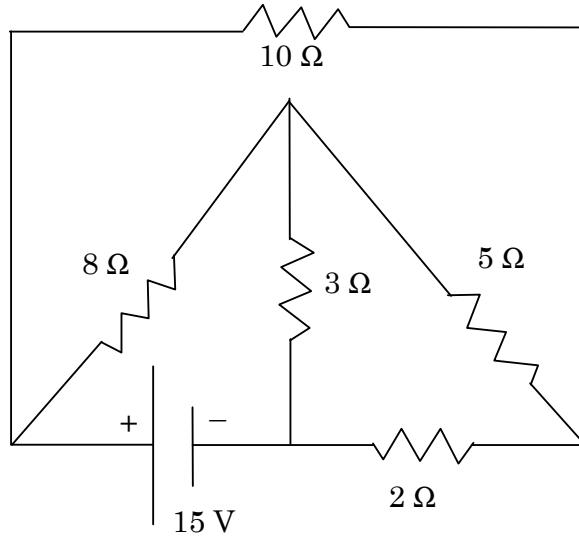
18. In the network shown below, switch is opened at  $t = 0$  after long time. The current  $i_L(t)$  for  $t > 0$  is given as



- (a)  $e^{-2t}(2 \cos t + 4 \sin t) A$                       (b)  $e^{-2t}(3 \sin t - 4 \cos t) A$   
(c)  $e^{-2t}(-4 \sin t + 2 \cos t) A$                       (d)  $e^{-2t}(2 \sin t - 4 \cos t) A$
19. The Q factor of a RLC circuit is 5 at its resonance frequency of 1 kHz. Find the bandwidth of the circuit  
(a) 100 Hz              (b) 200 Hz              (c) 400 Hz              (d) 50 Hz
20. For the circuit shown in figure, find the frequency at which this circuit will be at resonance

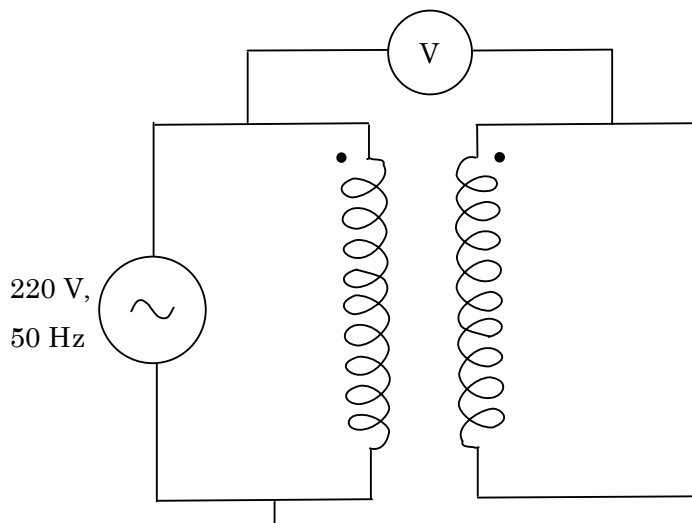


- (a) 1 rad/sec                      (b) 2 rad/sec  
(c) 0.25 rad/sec                      (d) 0.5 rad/sec
21. What is the power loss in the  $10 \Omega$  resistor in the Network shown in figure?



- (a) 15.31 W      (b) 15.13 W      (c) 12.3 W      (d) 13.2 W

22. The voltmeter in the circuit shown in the figure is ideal. The transformer has two identical windings with perfect coupling. The reading on the voltmeter will be

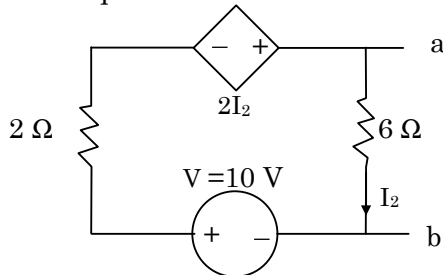


- (a) 440 V      (b) 220 V      (c) 110 V      (d) Zero



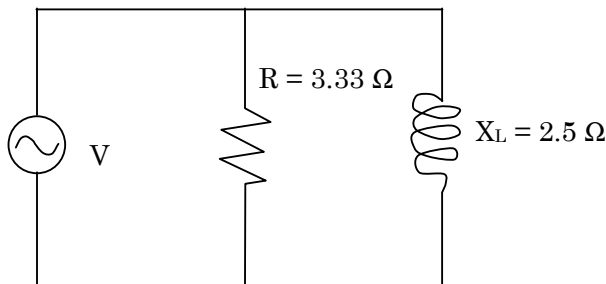


23. The Thevenin's equivalent circuit of the network shown in figure is across a-b is



- (a) 1 Ω                      (b) 2 Ω                      (c) 3 Ω                      (d) 4 Ω

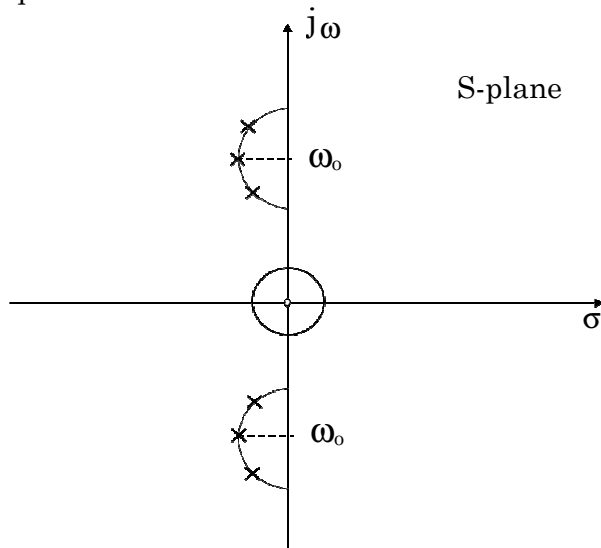
24. The average power consumed by the following circuit is



$V_{rms} = 20 \angle 53.13^\circ V$

- (a) 100 W                      (b) 110 W                      (c) 120 W                      (d) 160 W

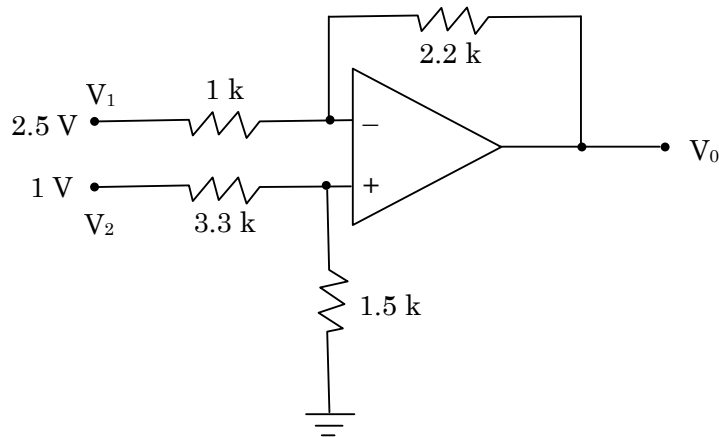
25. The given figure shows the pole zero pattern of a filter in the S-plane. The Filter in question is a



- (a) Band elimination filter                      (b) Band pass filter  
(c) Low Pass Filter                                      (d) High Pass Filter



26. Output voltage  $V_0$  of the circuit shown in figure below. (The input voltages are  $V_1 = 2.5\text{ V}$  &  $V_2 = 1\text{ V}$ )

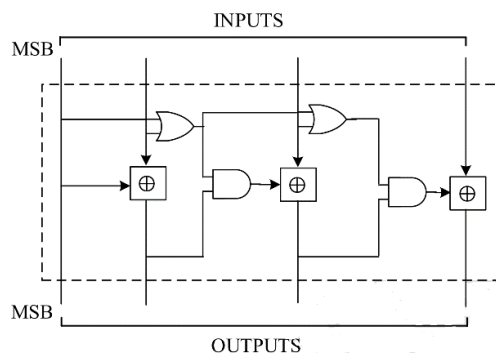


- (a) 4.0 V                      (b) -4.0 V                      (c) -4.5 V                      (d) 4.5 V

27. Without any additional circuitry an 8:1 MUX can be used to obtain

- (a) Some but not all Boolean functions of 3 variables  
(b) All function of 3 variables but none of 4 variables  
(c) All functions of 3 variables and some but not all of 4 variables  
(d) All functions of 4 variables

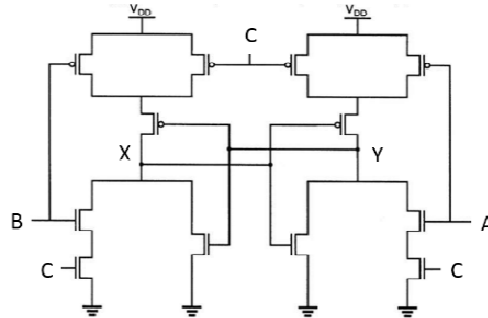
28. The circuit shown in the figure converts



- (a) BCD to binary code                      (b) Binary to Excess-3 code  
(c) Excess-3 to Gray code                      (d) Gray to Binary code



29. The following CMOS transistor based circuit with A, B, C as input and X, Y as output represents which circuit?

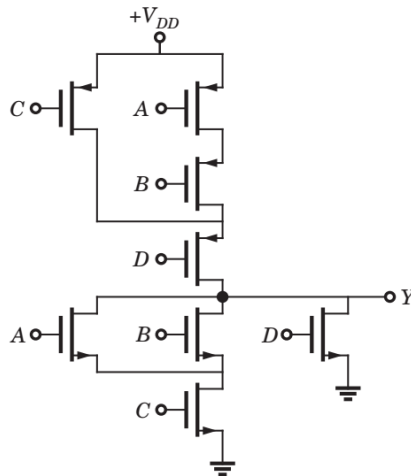


- (a) Positive edge trigger J-K Flip-Flop
- (b) Negative edge trigger J-K Flip-Flop
- (c) Positive edge trigger S-R Flip-Flop
- (d) None of the above

30. Minimum number of complementary CMOS transistors pair will be required to implement function,  $F = ABC + \overline{(A + B + C)}$  are

- (a) 6
- (b) 7
- (c) 8
- (d) 9

31. The CMOS circuit shown below implements the function



- (a)  $(A + B)C + D$
- (b)  $\overline{(AB + C) + D}$
- (c)  $\overline{(A + B)C + D}$
- (d)  $(AB + C)D$

32. If input to T flip flop is 200 Hz signal, then what will be the output signal frequency if four T flip flops are connected in cascade

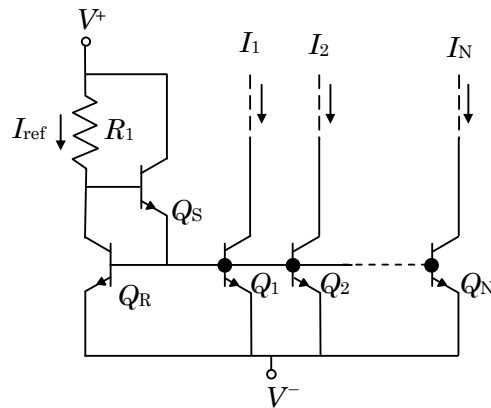
- (a) 200 Hz
- (b) 50 Hz
- (c) 800 Hz
- (d) None of the above

33. Simplify the below function represented in sum of minterms

$$F(A, B, C, D, E) = \sum (0, 1, 2, 3, 8, 9, 16, 17, 20, 21, 24, 25, 28, 29, 30, 31)$$

- (a)  $A\bar{D} + (\overline{C+D}) + \overline{A} \overline{B} \overline{C} + (\overline{A+B+C})$
- (b)  $A\overline{DE} + (\overline{C+E})D + \overline{A} \overline{B} \overline{C} D + AE\overline{C}$
- (c)  $A\overline{DB} + (\overline{C+B}) + \overline{C} \overline{D} \overline{E} + (\overline{B+C+D})$
- (d)  $A\overline{C} + (\overline{D+E}) + \overline{A} \overline{E} + (\overline{C+D+E})$

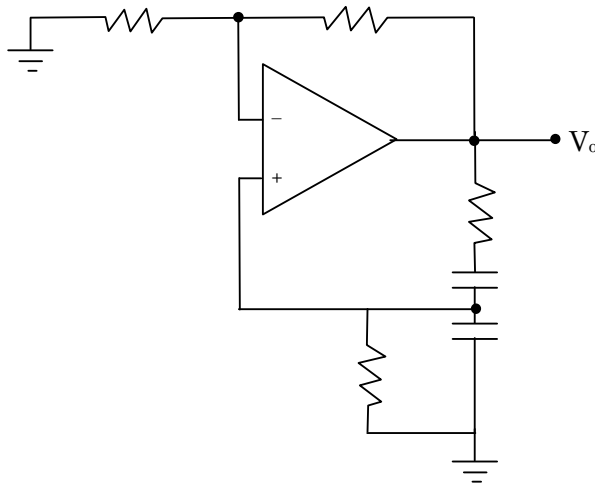
34. All transistor in the  $N$  output current mirror in figure given below are matched with a finite gain  $\beta$  and early voltage  $V_A = \infty$ . The expression for load current is




- (a)  $\frac{I_{ref}}{\left(1 + \frac{(1+N)}{\beta(\beta+1)}\right)}$
- (b)  $\frac{I_{ref}}{\left(1 + \frac{N}{\beta(\beta+1)}\right)}$
- (c)  $\frac{\beta I_{ref}}{\left(1 + \frac{(1+N)}{\beta(\beta+1)}\right)}$
- (d)  $\frac{\beta I_{ref}}{\left(1 + \frac{N}{\beta(\beta+1)}\right)}$

35. Class C amplifier operates
- Entire cycle of i/p signal
  - Half of the cycle of i/p signal
  - Slightly more than half of the cycle of i/p signal
  - Less than half of the cycle of i/p signal
36. A particular amplifier circuit used for frequency doubling is.
- Push-push
  - Push-pull
  - Pull-push
  - Pull-pull

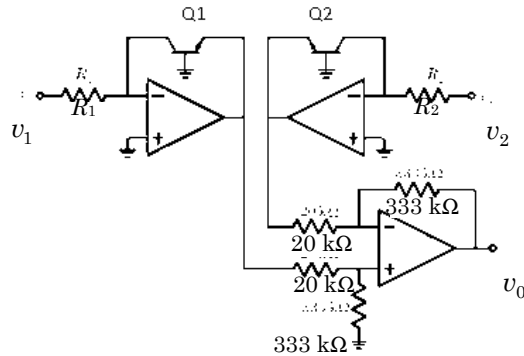
37. The configuration of given figure is a



- Precision Integrator
  - Hartley Oscillator
  - Butterworth high pass filter
  - Wein bridge oscillator
38. For current flowing through semi-conductor, which of the following statement is true
- Only conduction current
  - Only Diffusion Current
  - Conduction Current + Diffusion Current
  - None of the above
39. Which of the following statement is true for Programmable Logic array(PLA)?

	<b>INDIAN SPACE RESEARCH ORGANISATION</b>	<b>SET A</b>
	<b>Recruitment Entrance Test for Scientist/Engineer 'SC' 2017</b>	

- (a) Fixed AND array and Fused programmable OR array
- (b) Fused programmable AND array and Fixed OR array
- (c) Fused programmable AND array and Fused programmable OR array
- (d) None of the above
40. When transistors are used in digital circuits they usually operate in the:
- (a) Active region
- (b) Breakdown region
- (c) Saturation and cut-off regions
- (d) Linear region
41. Two initially identical samples A & B of pure germanium are doped with donors to concentrations of  $1 \times 10^{20}$  and  $3 \times 10^{20}$  respectively. If the hole concentration in A is  $9 \times 10^{12}$  then the hole concentration in B at the same temperature will be
- (a)  $3 \times 10^{12} \text{ m}^{-3}$
- (b)  $7 \times 10^{12} \text{ m}^{-3}$
- (c)  $11 \times 10^{12} \text{ m}^{-3}$
- (d)  $27 \times 10^{12} \text{ m}^{-3}$
42. The built in potential (diffusion potential) in a p-n junction
- (a) Is equal to the difference in the fermi level of the 2 sides, expressed in volts
- (b) Increase with the increase in the doping levels of the two sides
- (c) Increase with the increase in temperature
- (d) All of the above
43. Transistors  $Q_1$  and  $Q_2$  are identical and  $\beta \gg 1$  in the circuit shown in the figure below. The output voltage is ( $V_t = 0.026 \text{ V}$ ):



(a)  $2 \log_{10} \left( \frac{v_2 R_1}{v_1 R_2} \right)$

(b)  $\log_{10} \left( \frac{v_2 R_1}{v_1 R_2} \right)$

(c)  $2.3 \log_{10} \left( \frac{v_2 R_1}{v_1 R_2} \right)$

(d)  $4.6 \log_{10} \left( \frac{v_2 R_1}{v_1 R_2} \right)$

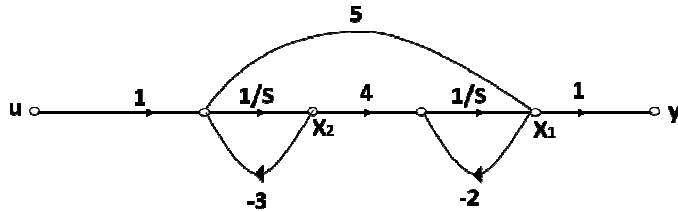
44. Consider following 8085 microprocessor program

```
MVI A, DATA1
ORA A
JM DISPLAY
OUT PORT1
CMA
DISPLAY : ADI 01H
OT PORT1
HLT
```

If DATA1 = A7H, the output at PORT1 is

- (a) A7H            (b) 58H            (c) 00H            (d) 59H

45. From the figure, obtain state equation



(a)  $\dot{X} = \begin{bmatrix} 0 & -3 \\ -2 & 4 \end{bmatrix} X + \begin{bmatrix} 0 \\ 1 \end{bmatrix} u$


(b)  $\dot{X} = \begin{bmatrix} -2 & 4 \\ 0 & -3 \end{bmatrix} X + \begin{bmatrix} 0 \\ 1 \end{bmatrix} u$

(c)  $\dot{X} = \begin{bmatrix} 0 & -3 \\ -2 & 4 \end{bmatrix} X + \begin{bmatrix} 1 \\ 0 \end{bmatrix} u$


(d)  $\dot{X} = \begin{bmatrix} -2 & 4 \\ 0 & -3 \end{bmatrix} X + \begin{bmatrix} 1 \\ 0 \end{bmatrix} u$

46. In an ADC, the minimum Effective Number of Bits (ENOB) requires to represent each quantization level to achieve Signal to Noise and Distortion Ratio (SINAD) of 70 dB is  
(a) 8 bits                      (b) 10 bits                      (c) 11 bits                      (d) 12 bits
47. Two isotropic antennas are separated by a distance of two wavelengths. If both the antennas are fed with currents of equal phase and magnitude, the number of lobes in the radiation pattern in the horizontal plane are  
(a) 2                              (b) 4                              (c) 6                              (d) 8
48. The half-power beam width (HPBW) of an antenna in the two orthogonal planes are  $120^\circ$  and  $40^\circ$  respectively. The directivity of the antenna is approximately equals to  
(a) 10 dB                      (b) 6.5 dB                      (c) 12 dB                      (d) 8.5 dB
49. Two resistors  $R_1$  and  $R_2$  (in ohms) at temperatures  $T_1 K$  and  $T_2 K$  respectively, are connected in series. Their equivalent noise temperature is  
(a)  $T_1 + T_2$                       (b)  $R_1 T_1 + R_2 T_2$   
(c)  $(R_1 T_1 + R_2 T_2) / (R_1 R_2)$                       (d)  $(R_1 T_1 + R_2 T_2) / (R_1 + R_2)$



	<b>INDIAN SPACE RESEARCH ORGANISATION</b>	<b>SET A</b>
	<b>Recruitment Entrance Test for Scientist/Engineer 'SC' 2017</b>	

50. The Gray code for  $(A5)_{16}$  is equivalent to
- (a) 10010101                      (b) 11010101  
(c) 11011111                      (d) 11011011
51. In Direct Broadcast System (DBS),
- (a) MPEG-2 is used for video compression  
(b) MPEG-2 is used for video enhancing  
(c) MPEG-2 is used for audio compression  
(d) None of these
52. If analog sampling frequency of a band limited signal is doubled then corresponding digital sampling frequency will be
- (a)  $\pi$                                       (b)  $2\pi$   
(c)  $\pi/2$                                       (d) None of the above
53. In communication system, if for a given rate of information transmission requires channel bandwidth,  $B_1$  and signal-to-noise ratio  $SNR_1$ . If the channel bandwidth is doubled for same rate of information then new signal-to-noise ratio will be
- (a)  $SNR_1$                                       (b)  $2SNR_1$   
(c)  $\sqrt{SNR_1}$                                       (d)  $SNR_1/2$
54. Output SNR of a 10 bit PCM was found to be 30 dB, desired SNR is 42 dB. To achieve desired SNR by increasing the number of quantization levels, then new levels will be
- (a) 256                                      (b) 512  
(c) 2018                                      (d) 1024

	<b>INDIAN SPACE RESEARCH ORGANISATION</b>	<b>SET A</b>
	<b>Recruitment Entrance Test for Scientist/Engineer 'SC' 2017</b>	

55. Let  $Y(k)$  be the 5-point DFT of the sequence  $y(n) = \{1 \ 2 \ 3 \ 4 \ 5\}$ . What is the 5-point DFT of the sequence  $Y(k)$ ?

- (a)  $[15 \ -2.5 + 3.4j \ -2.5+0.81j \ -2.5-0.81j \ -2.5-3.4j]$
- (b)  $[1 \ 5 \ 4 \ 3 \ 2]$
- (c)  $[5 \ 25 \ 20 \ 15 \ 10]$
- (d)  $[5 \ 4 \ 3 \ 2 \ 1]$

56. Let  $A$  be the series

$$\sum_{n=1}^{\infty} \frac{(-1)^n}{\log(n+2)}$$

and  $B$  be the series


$$\sum_{n=2}^{\infty} \left( \frac{3n-4}{3k+2} \right)^{\frac{(n+1)}{3}}$$

for real numbers. Then which of the following is true.

- (a) Both the series  $A$  and  $B$  are divergent
- (b) Both the series  $A$  and  $B$  are convergent
- (c) Series  $A$  is convergent and series  $B$  is divergent
- (d) Series  $A$  is conditionally convergent and series  $B$  is divergent

57. A test has 5 multiple-choice questions. Each question has 4 answer options (A, B, C, D). What is the probability that a student will choose "B" for at least three questions if he/she leaves no questions blank?

- (a)  $1/1024$
- (b)  $1/64$
- (c)  $53/512$
- (d)  $29/128$

	<b>INDIAN SPACE RESEARCH ORGANISATION</b>	<b>SET A</b>
	<b>Recruitment Entrance Test for Scientist/Engineer 'SC' 2017</b>	

58. The DTFT of a sequence  $x[n]$  is given by  $X(e^{j\omega})$ . Since  $X(e^{j\omega})$  is period function of  $\omega$ , it can be expressed classical Fourier series as,

$$X(e^{j\omega}) = \sum_{n=-\infty}^{\infty} C_n e^{jn\omega_0\omega}$$

where  $\omega_0$  is a fundamental frequency. Which of the following statement is correct?

- (a)  $\omega_0 = \pi$ ,  $C_n = -x[n]$                       (b)  $\omega_0 = \pi$ ,  $C_n = x[-n]$   
(c)  $\omega_0 = 1$ ,  $C_n = x[-n]$                       (d)  $\omega_0 = 1$ ,  $C_n = -x[-n]$

59. Evaluate

$$\int_0^1 \frac{\ln(x+1)}{x^2+1} \cdot dx$$


- (a)  $\pi \ln \sqrt{2}$               (b)  $\frac{\pi}{8} \ln 2$               (c)  $2\pi \ln \sqrt{2}$               (d)  $\ln \sqrt{2}$

60. Fourier transform of a real and odd function is

- (a) Real and odd                      (b) Real and even  
(c) Imaginary and odd                      (d) Imaginary and even

61. Let  $F(\omega)$  be the Fourier Transform of a function  $f(t)$ . The  $F(0)$  is

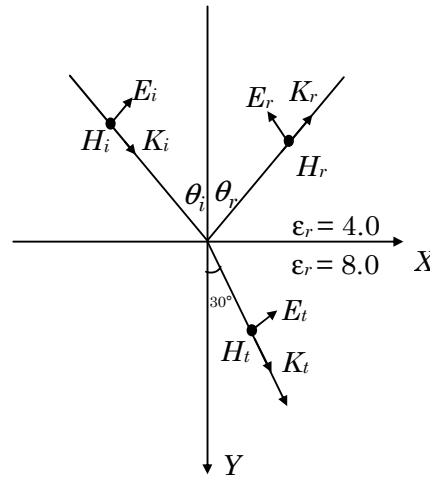
- (a)  $\int_{-\infty}^{\infty} f(t) dt$               (b)  $\int_{-\infty}^{\infty} |f(t)|^2 dt$               (c)  $\int_{-\infty}^{\infty} |t \cdot f(t)|^2 dt$               (d)  $\int_{-\infty}^{\infty} t \cdot f(t) dt$

	INDIAN SPACE RESEARCH ORGANISATION	<b>SET A</b>
	Recruitment Entrance Test for Scientist/Engineer 'SC' 2017	

62. Laplace transform of  $e^{-at}f(t)$  is


- (a)  $F(s)e^{at}$       (b)  $F(s-a)$       (c)  $F(s+a)$       (d)  $\frac{F(s)}{s} + a$

63. A monochromatic plane wave of wavelength  $500 \mu\text{m}$  is propagating in the direction as shown in the figure below.  $\vec{E}_i$ ,  $\vec{E}_r$  and  $\vec{E}_t$  denotes incident, reflected and transmitted electric field vectors associated with the wave.




The expression for  $\vec{E}_t$  and  $\vec{E}_r$  are

- (a)  $\frac{E_0}{\sqrt{2}}(\hat{a}_x - \hat{a}_y)e^{-j\frac{2\pi \times 10^4}{5\sqrt{2}}(x+y)}$  V/m and  $0.10 \frac{E_0}{\sqrt{2}}(\hat{a}_x + \hat{a}_y)e^{-j\frac{2\pi \times 10^4}{5\sqrt{2}}(x-y)}$  V/m
- (b)  $\frac{E_0}{\sqrt{2}}(\hat{a}_x - \hat{a}_y)e^{-j\frac{2\pi \times 10^4}{5\sqrt{2}}(x+y)}$  V/m and  $-0.10 \frac{E_0}{\sqrt{2}}(\hat{a}_x + \hat{a}_y)e^{-j\frac{2\pi \times 10^4}{5\sqrt{2}}(x-y)}$  V/m
- (c)  $\frac{E_0}{\sqrt{2}}(\hat{a}_x + \hat{a}_y)e^{-j\frac{2\pi \times 10^4}{5\sqrt{2}}(x-y)}$  V/m and  $\frac{E_0}{\sqrt{2}}(\hat{a}_x - \hat{a}_y)e^{-j\frac{2\pi \times 10^4}{5\sqrt{2}}(x+y)}$  V/m
- (d)  $\frac{E_0}{\sqrt{2}}(\hat{a}_x - \hat{a}_y)e^{-j\frac{2\pi \times 10^4}{5\sqrt{2}}(x+y)}$  V/m and  $\frac{E_0}{\sqrt{2}}(\hat{a}_x + \hat{a}_y)e^{-j\frac{2\pi \times 10^4}{5\sqrt{2}}(x-y)}$  V/m

	<b>INDIAN SPACE RESEARCH ORGANISATION</b>	<b>SET A</b>
	<b>Recruitment Entrance Test for Scientist/Engineer 'SC' 2017</b>	

64. Indicate which one of the following modes do NOT exist in a rectangular resonant cavity
- (a) TE<sub>110</sub>                      (b) TE<sub>011</sub>                      (c) TM<sub>110</sub>                      (d) TM<sub>111</sub>
65. A long solenoid of radius  $R$ , having  $N$  turns per unit length carries a time dependent current  $I(t) = I_0 \sin(\omega t)$ . The magnitude of induced electric field at a distance  $R/2$  radially from the axis of the solenoid is
- (a)  $\frac{R}{2} \mu_0 N I_0 \omega \cos(\omega t)$                       (b)  $\frac{R}{4} \mu_0 N I_0 \omega \cos(\omega t)$
- (c)  $\frac{R}{2} \mu_0 N I_0 \omega \sin(\omega t)$                       (d)  $\frac{R}{4} \mu_0 N I_0 \omega \sin(\omega t)$
66. Penetration depth of magnetic field inside a superconductor is
- (a) Always zero
- (b) London depth of penetration
- (c) Skin depth of penetration
- (d) Inside Full bulk of material
67. A parallel plate air-filled capacitor has plate area of  $10^{-4} \text{ m}^2$  and plate separation of  $10^{-3} \text{ m}$ . It is connected to a 2 V, 1.8 GHz source. The magnitude of the displacement current is ( $\epsilon_0 = 1/36\pi \times 10^{-9} \text{ F/m}$ )
- (a) 200 mA                      (b) 20 mA                      (c) 20 A                      (d) 2 mA
68. Two rectangular waveguide have dimensions of  $1 \text{ cm} \times 0.5 \text{ cm}$  and  $1 \text{ cm} \times 0.25 \text{ cm}$  respectively. Their respective cut-off frequencies will be
- (a) 15 GHz and 30 GHz                      (b) 30 GHz and 60 GHz
- (c) 15 GHz and 15 GHz                      (d) 30 GHz and 30 GHz
69. Which of the following has the highest skin depth?

	<b>INDIAN SPACE RESEARCH ORGANISATION</b>	<b>SET A</b>
	<b>Recruitment Entrance Test for Scientist/Engineer 'SC' 2017</b>	

- (a) Al (b) Ag  
(c) Au (d) Cu

70. The electric field vector of a wave is given as

$$\vec{E} = E_0 e^{j(\omega t + 3x - 4y)} \cdot \frac{8\vec{a}_x + 6\vec{a}_y + 5\vec{a}_z}{\sqrt{125}} \text{ V/m}$$

Its frequency is 10 GHz. The phase velocity in Y-direction will be

- (a)  $2 \times 10^{10}$  m/s (b)  $1.5 \times 10^{10}$  m/s  
(c)  $1.85 \times 10^{10}$  m/s (d)  $1.25 \times 10^{10}$  m/s

71. The electric field of a plane wave propagating in a lossless non-magnetic medium is given by the following equation


$$\vec{E}(z, t) = 3 \cos(2\pi \times 10^9 t + \beta z) \hat{a}_x + 2 \cos\left(2\pi \times 10^9 t + \beta z + \frac{\pi}{2}\right) \hat{a}_y$$

The type of wave polarization is

- (a) Right hand elliptical (b) Right hand circular  
(c) Left hand elliptical (d) Left hand circular

72. A ring of radius  $R$  carries a linear charge density  $\lambda$ . It is rotating with angular speed  $\omega$ . The magnetic field at its center is

- (a)  $\frac{3\mu_0\lambda\omega}{2}$  (b)  $\frac{\mu_0\lambda\omega}{2}$   
(c)  $\frac{\mu_0\lambda\omega}{\pi}$  (d)  $\mu_0\lambda\omega$

	<b>INDIAN SPACE RESEARCH ORGANISATION</b>	<b>SET A</b>
	<b>Recruitment Entrance Test for Scientist/Engineer 'SC' 2017</b>	

73. A transmission line with a characteristic impedance of  $100 \Omega$  is used to match a  $50 \Omega$  section to a  $200 \Omega$  section. If the matching is to be done both at 500 MHz and 1.2 GHz, the length of the transmission line can be approximately,
- (a) 1.75 m (b) 1.0 m  
(c) 1.35 m (d) 1.5 m
74. System has some poles lying on imaginary axis is
- (a) Unconditionally stable (b) Conditionally stable  
(c) Unstable (d) Marginally stable
75. The open-loop DC gain of a unity negative feedback system with closed loop transfer function  $(S + 4)/(S^2 + 7S + 13)$  is
- (a) 4/13 (b) 4  
(c) 4/9 (d) 13
76. The unit impulse response of a system is  $h(t) = e^{-t}$ ,  $t \geq 0$ . For this system, the steady-state value of the output for unit step input is equal to
- (a) -1 (b) 0  
(c) 1 (d)  $\infty$
77. A system has fourteen poles and two zeros. Its high frequency asymptote in its magnitude plot having a slope of
- (a) -40 dB/decade (b) -240 dB/decade  
(c) -280 dB/decade (d) -320 dB/decade
78. Consider a unity feedback system having an open loop transfer function

$$G(j\omega) = \frac{k}{j\omega(j0.2\omega + 1)(j0.05\omega + 1)}$$

Find open loop gain ( $k$ ) with gain margin of 20 dB

- (a) 5.2                      (b) 2.5                      (c) 0.1                      (d) 2.25

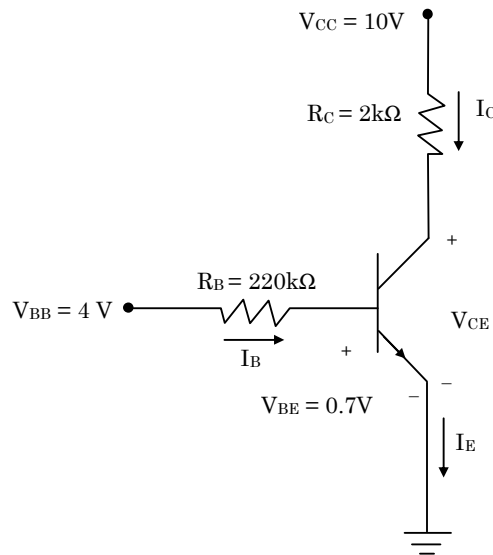
79. The open loop transfer function of a unity feedback system is

$$G(S) = \frac{K}{S(S^2 + S + 2)(S + 3)}$$

The range of  $K$  for which the system is stable is


- (a)  $\frac{21}{44} > K > 0$       (b)  $13 > K > 0$       (c)  $\frac{21}{44} < K < \infty$       (d)  $-6 < K < \infty$

80. For the CE (Common emitter) circuit shown, what will be the value of  $I_E$  and  $V_{CE}$ ?



- (a) 3 mA, 3 V      (b) 4 mV, 4 V      (c) 3.02 mA, 4.2 V      (d) 3.02 mA, 4 V



	<b>INDIAN SPACE RESEARCH ORGANISATION</b>	<b>SET A</b>
	<b>Recruitment Entrance Test for Scientist/Engineer 'SC' 2017</b>	

Space for rough work

	<b>INDIAN SPACE RESEARCH ORGANISATION</b>	<b>SET A</b>
	<b>Recruitment Entrance Test for Scientist/Engineer 'SC' 2017</b>	

Space for rough work